

Precise and dependable.



G*GRASS®

»» dynamic NT

Concealed roller bearing slides for superior wooden drawer boxes.



Dynamic NT



Concealed roller bearing slides for 3 and 4 sided wooden drawer boxes.



System Information

Drawer slides

Organizing systems

Single and full extension slides with integrated Soft-close soft closing system.

Dynamic NT roller bearing slides convince through superior running conditions:

With ease you can extend the drawer, and with a gentle push the slides glide back into the closed position. Soft-close slows your drawer softly down and closes it quietly until it stops.

The Dynamic NT is a unique element in your cabinet that your customer will appreciate.

Dynamic NT means innovation in drawer slide technology.

New features of the Dynamic principle guarantee excellent running conditions and side stability.

Dynamic NT full extension slides with 40 kg load capacity cover all requirements that are needed when using an undermount slide on a wooden drawer box.

Dynamic NT undermount slides, precise and dependable.

- Soft and controlled closing of the drawer through Soft-close technology
- 40 kg load capacity with all Dynamic NT full extension slides
- Height adjustment within the front bracket
- The integrated tolerance compensation compensates side tolerance of the cabinet with ease
- System compatibility, single and full extension are completely interchangeable.
- Efficient installation with slide-on mounting



Mounting Aids

Technical Information

Concealed full extension slide, 40 kg

Slide-on mounting with integrated

Soft-close or Self-close.



- Full extension , 40 kg load capacity (based on 500 mm slide)
- Soft-close soft closing system
- Self-close, alternative
- Self adjusting of drawer when sliding on slide
- Integrated height adjustment, tool-less +2.5 mm

Dynamic NT Full extension, 40 kg



Nominal length	Ref. No. Soft-close	Ref. No. Self-close
250		7012.250
270	7002.270	
300	7002.300	7012.300
350	7002.350	7012.350
400	7002.400	7012.400
450	7002.450	7012.450
500	7002.500	7012.500
550	7002.550	7012.550
♦ 600	7002.600	
♦ 650	7002.650	
PU/Packing Unit	PU 5	PU 5

VPE 5 = 5 pairs per box

♦ Carrying capacity for excessive lengths 30 kg dyn.

Front fixing bracket with integrated height adjustment

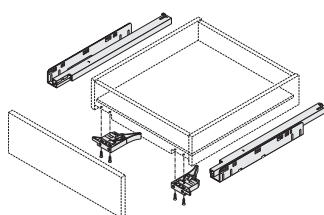


	Ref. No.	Ref. No.
(Please order separately)	7900.VE1AA	7900.VE10AA
PU/Packing Unit	PU 1	PU 10

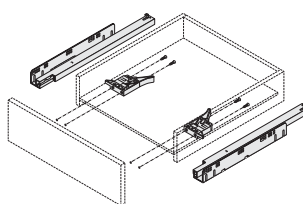
PU 1 = 1 set, l/r

PU 10 = 10 set

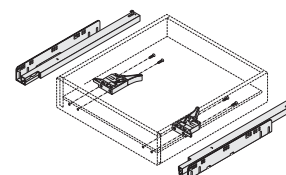
4 sided drawer



3 sided drawer



Inset drawer

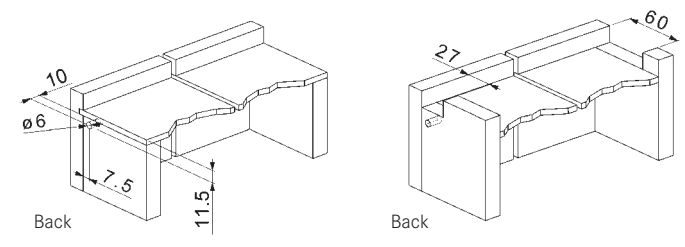


Accessories and Mounting Aids

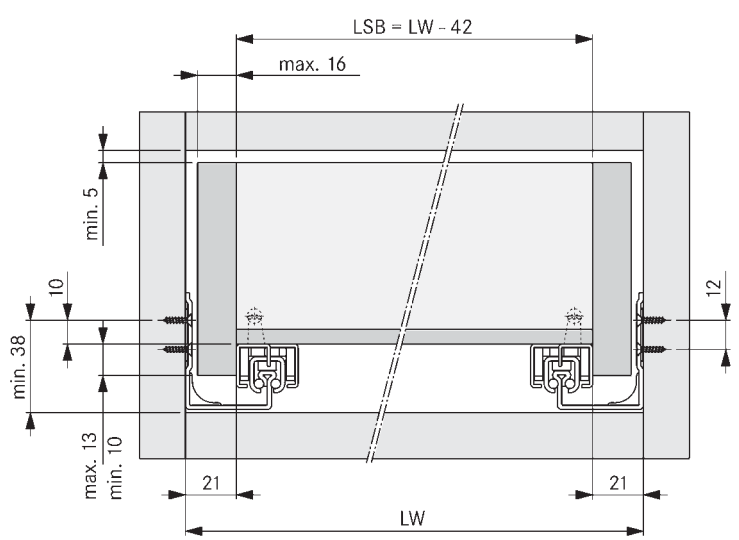
Dynamic NT Single extension	Page 6	Magic Sorto	Page 10	Mounting Aids	Page 12
Mini Sidewing	Page 8			Technical Information	Page 14

NL	Drawer length	Min. installation depth	Drawer	Inset drawer
250	240	250		
270	260	270		
300	290	300		
350	340	350		
400	390	400		
450	440	450		
500	490	500		
550	540	550		
600	590	600	SK = Drawer length NL = Nominal length of slide	
650	640	650		

Drawer cut-outs and borings **Cabinet fixing positions**

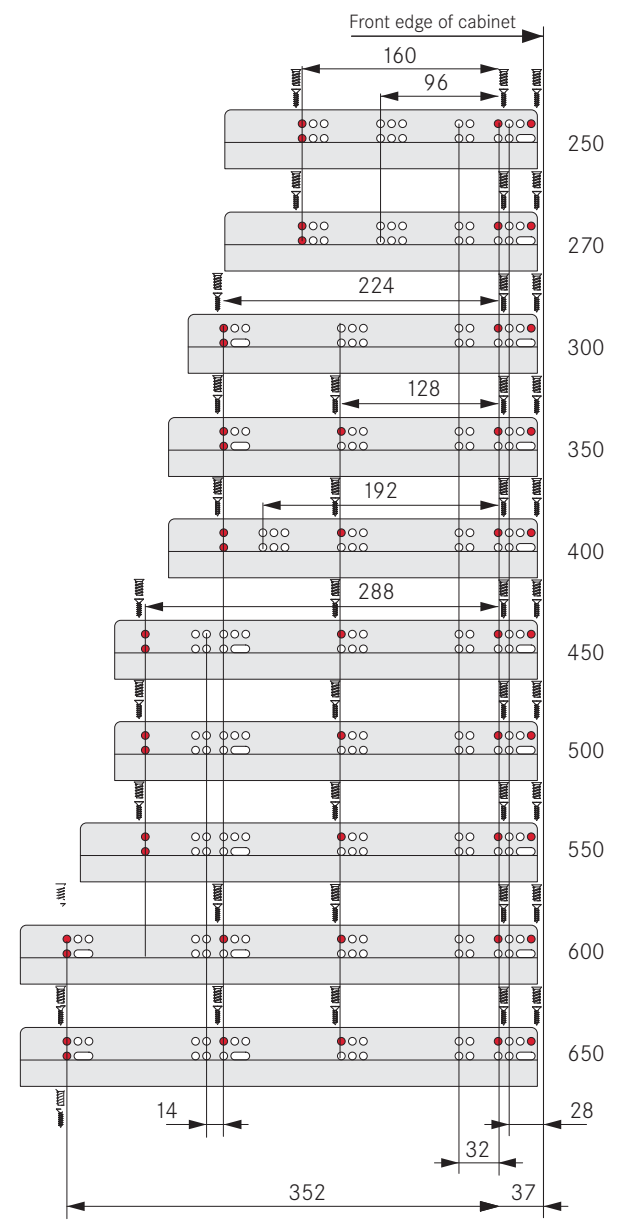
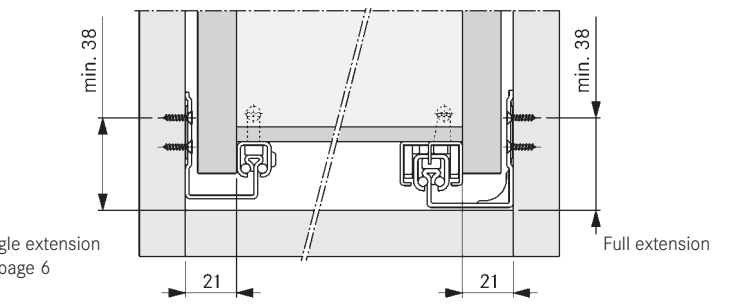


Drawer installation measurements



LSB = Inside drawer width
LW = Inside cabinet width

Identical mounting positions for single and full extension slides.



All measurements in millimeter.

Concealed single extension slide, 30 kg

Slide-on mounting with integrated
Soft-close or Self-close.



- Single extension , 30 kg load capacity (based on 500 mm slide)
- Soft-close soft closing system
- Self-close, alternative
- Self adjusting of drawer when sliding on slide
- Integrated height adjustment, tool-less +2.5 mm

Dynamic NT Single extension, 30 kg



Nominal length	Ref. No. Soft-close	Ref. No. Self-close
250		7512.250
300	7502.300	7512.300
350	7502.350	7512.350
400	7502.400	7512.400
450	7502.450	7512.450
500	7502.500	7512.500
550	7502.550	7512.550
PU/Packing Unit	PU 10	PU 10

VPE 10 = 10 pairs per box

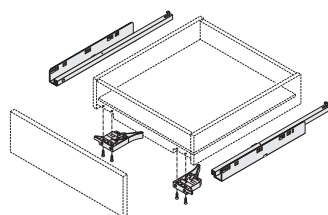
Front fixing bracket with integrated height adjustment



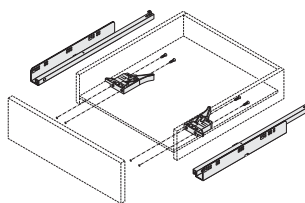
	Ref. No.	Ref. No.
(Please order separately)	7900.VE1AA	7900.VE10AA
PU/Packing Unit	PU 1	PU 10

PU 1 = 1 set, l/r
PU 10 = 10 set

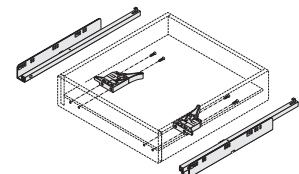
4 sided drawer



3 sided drawer



Inset drawer

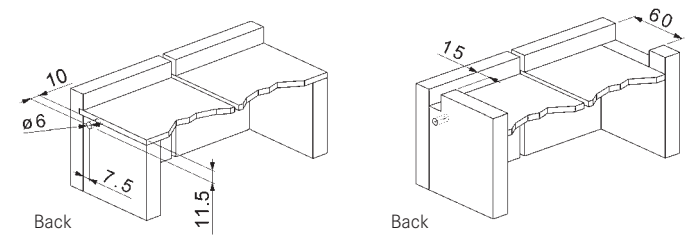


Accessories and Mounting Aids

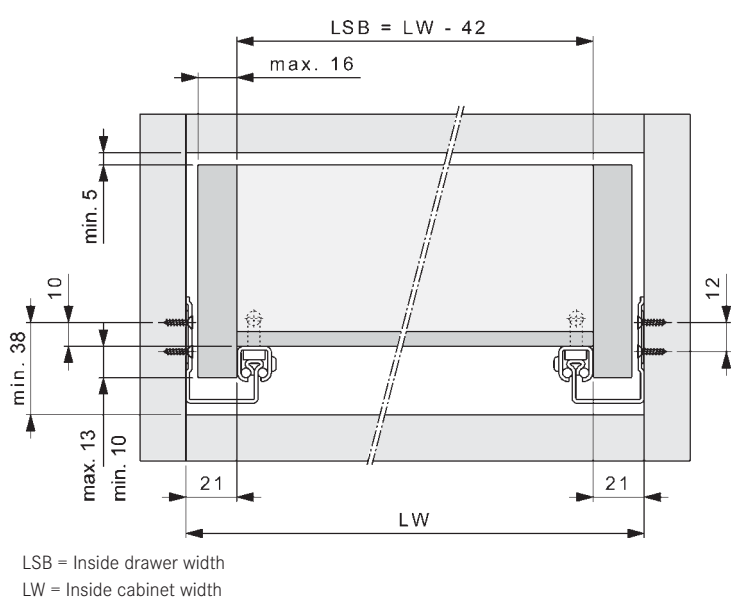
Dynamic NT Full extension	Page 4	Magic Sorto	Page 10	Mounting Aids	Page 12
Mini Sidewing	Page 8			Technical Information	Page 14

NL	Drawer length	Min. installation depth	Extension loss	Drawer	Inset drawer
250	240	250	52	<p>SK = Drawer length NL = Nominal length of slide</p>	
300	290	300	52		
350	340	350	63		
400	390	400	63		
450	440	450	74		
500	490	500	96		
550	540	550	107		

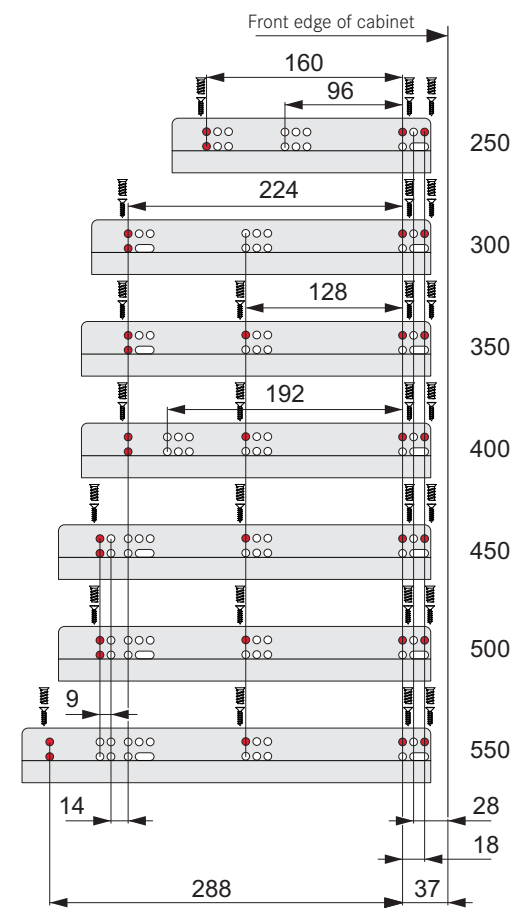
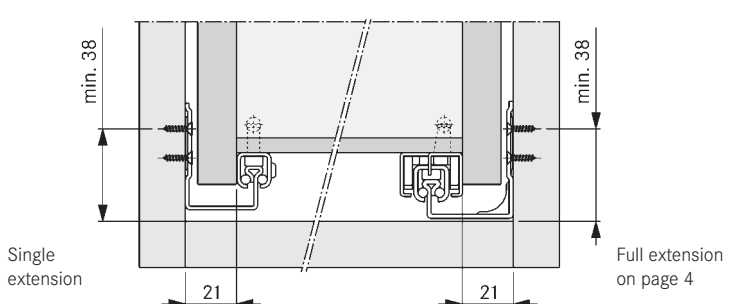
Drawer cut-outs and borings **Cabinet fixing positions**



Drawer installation measurements



Identical mounting positions for single and full extension slides.



All measurements in millimeter.

Magic Mini Sidewing

Organizing system for tall wooden drawers.



- Optimum space organisation for tall drawers
- Tool-less mounting
- Adjustable elements for individual arrangement possibilities
- Easy to cut to size Aluminium Dividing Rails

Magic Mini Sidewing



	Ref. No. alu-grey
	12650
PU/Packing Unit	PU 4

PU 4 = 4 pcs.

Magic Classic Dividing Set

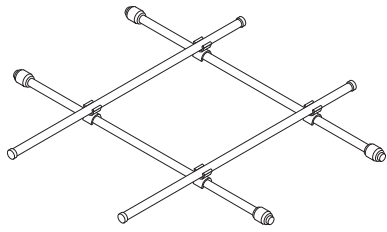


Cabinet width in mm	Ref. No. alu-metallic
600	12700.495.17
1200	12700.1095.17
PU/Packing Unit	PU 1/25

PU 1/25 = 1 set per bag / 25 sets per box

Magic Dividing Set

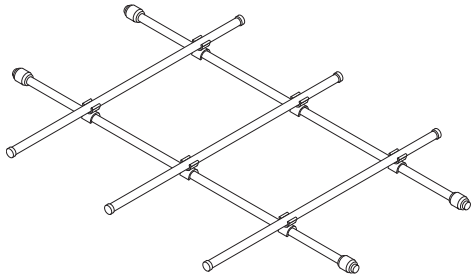
600 mm



1 set for 600 cabinet width consists of:
 2 Length Rails 462 mm
 2 Divider Rails 495 mm
 4 Fixing parts

Magic Dividing Set

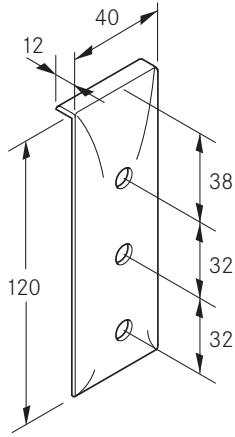
1200 mm



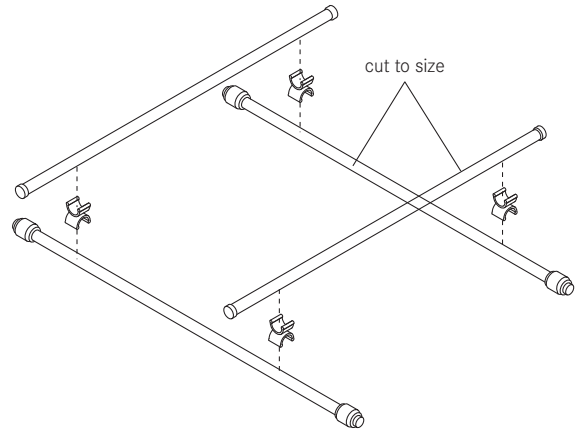
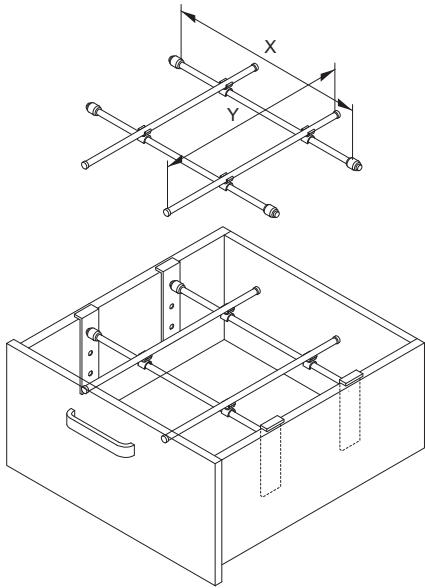
1 set for 1200 cabinet width consists of:
 3 Length Rails 462 mm
 2 Divider Rails 1095 mm
 6 Fixing parts

Accessories and Mounting Aids		Technical Information
Dynamic NT Full extension	Page 4	Page 14
Dynamic NT Single extension	Page 6	

Mounting measurements Magic Mini Side Wing

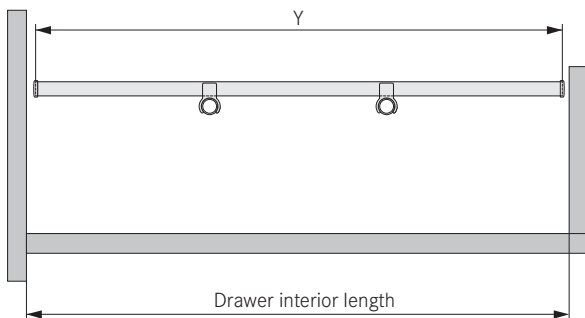


Magic Classic Dividing Set



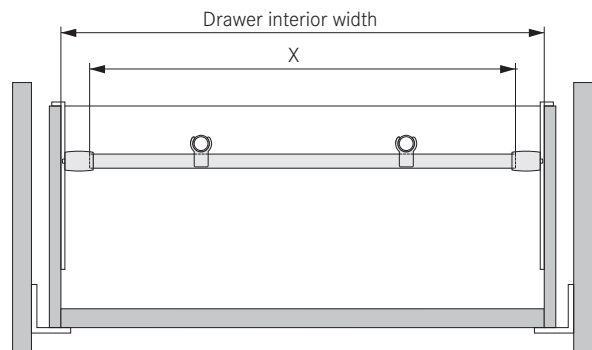
Length Rail

Y = Drawer interior length - 14 mm



Divider Rail

X = Drawer interior width - 41 mm



All measurements in millimeter.

Magic Sorto

Organizing system for wooden drawers.



- Modular-based expandable system
- Individual components, dishwasher resistant
- Safe for foods, hygienically approved
- Trays made of stainless steel, Divider supports alu-metallic, plastic components alu-grey



Magic Sorto Set



		Ref. No. alu-metallic
1	Magic Sorto set NL 550 B3	12039.550.17
2	Magic Sorto set NL 550 B4	12049.550.17
	PU/Packing Unit	PU 1

PU 1 = 1 set

Sorto trays: stainless steel, plastic parts light-grey
 Divider Support: alu-metallic, plastic parts light-grey

1 Magic Sorto Set NL 550 B3



NL 550 and cabinet widths from 450 mm or more.

Consisting of:

- 3 Sorto trays 270 x 90 mm
- 3 Sorto trays 180 x 90 mm
- 1 Divider Support

2 Magic Sorto Set NL 550 B4



NL 550 and cabinet widths from 600 mm or more.

Consisting of:

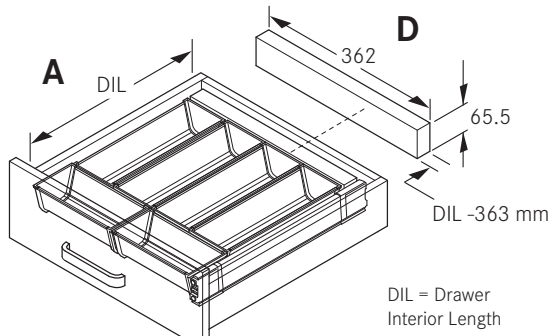
- 4 Sorto trays 270 x 90 mm
- 4 Sorto trays 180 x 90 mm
- 1 Divider Support

Accessories and Mounting Aids

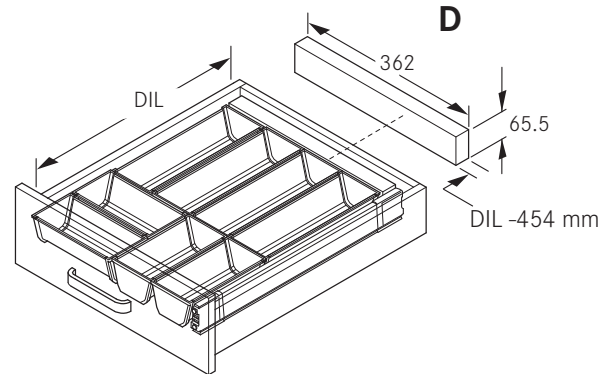
Dynamic NT Full extension	Page 4
Dynamic NT Single extension	Page 6

Technical Information Page 14

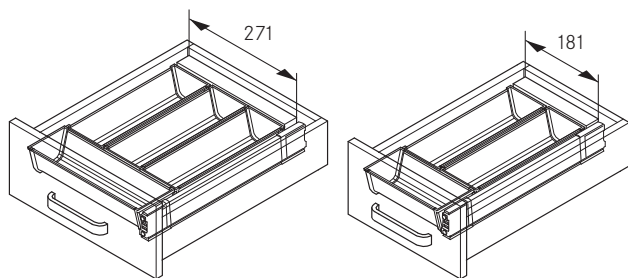
Installation measurements for wide cabinets 400 and 450 mm depth



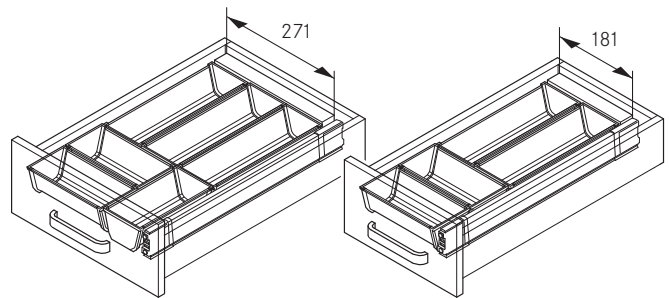
Installation measurements for wide cabinets 500 and 550 mm depth



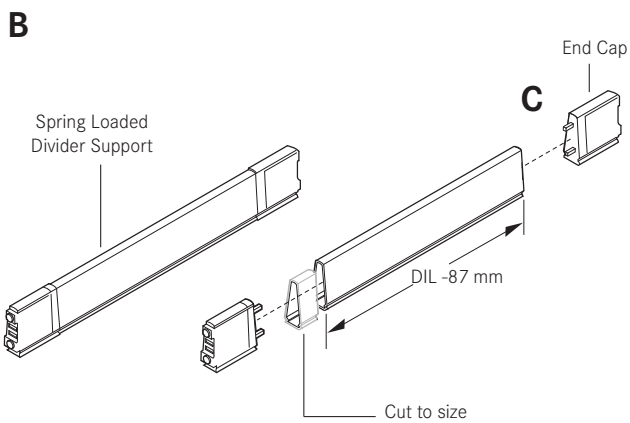
Installation measurements for small cabinets 400 und 450 mm depth



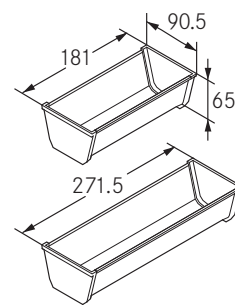
Installation measurements for small cabinets 500 and 550 mm depth



Divider Support cut to size



Sorto trays 180, 270 mm



Legend

- A** Measure drawer interior length (DIL). Remove spring loaded end caps to aluminum.
- B** Cut aluminum bar (length = DIL - 87 mm).
- C** Attach spring loaded end caps to aluminum profile.
- D** Cut wooden spacer.

All measurements in millimeter.

Mounting Aids

for Dynamic NT.

7990 Boring jig for rear hook and front fixing bracket borings



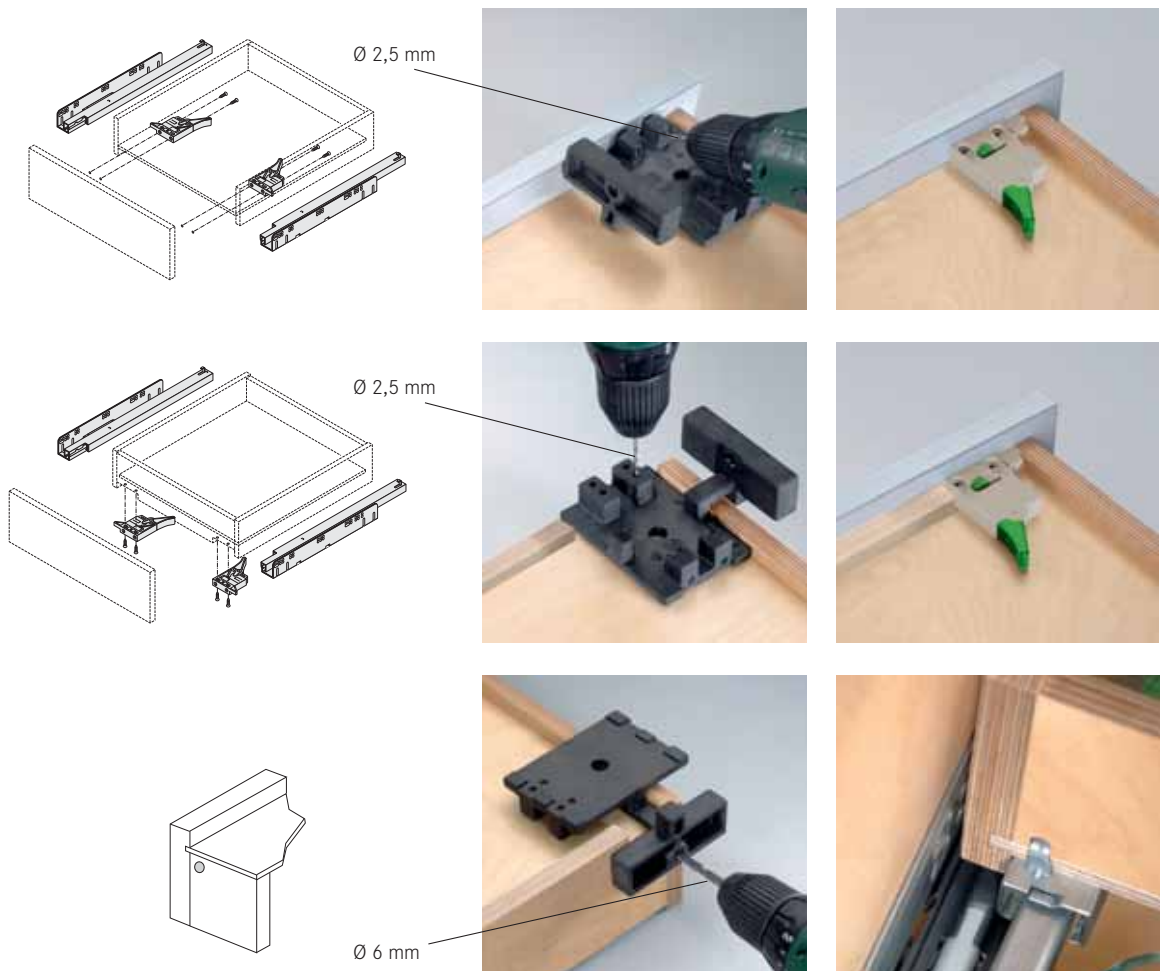
For rear hook and front fixing bracket borings

Ref. No.

7990

PU 1

PU/Packing Unit 1 = 1 pc.



Accessories and Mounting Aids		Technical Information	Page 14
Dynamic NT Full extension	Page 4		
Dynamic NT Single extension	Page 6		

Drill bit



Drill bit for boring jig
7990

Ref. No.

7992

PU 1

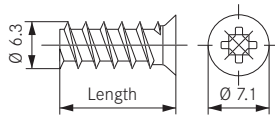
PU/Packing Unit 1 = 1 set

1 set consisting of:

1 Shaft, 3 Drilling bit 2,5 mm, 1 Allen key

System Information

191 / 192 Euro screw, nickel plated



Ref. No. / Ø 6,3 x 10,5 mm

191

PU 1000

Ref. No. / Ø 6,3 x 14 mm

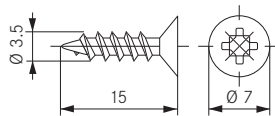
192

PU 1000

PU/Packing Unit 1000 = 1000 pcs.

Drawer slides

198 Wood screw, nickel plated



Ref. No. / Ø 3,5 x 15 mm

198

PU 1000

PU/Packing Unit 1000 = 1000 pcs.

Organizing systems

Mounting Aids

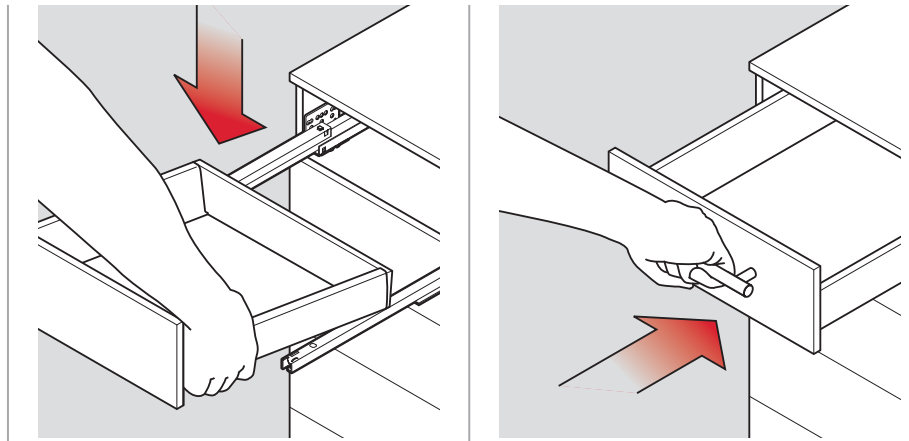
Technical Information

Technical Information

for Dynamic NT.

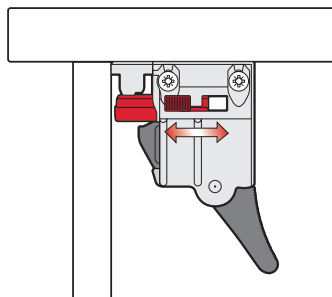
Drawer insertion

Place onto extended Dynamic NT drawer slides and close.



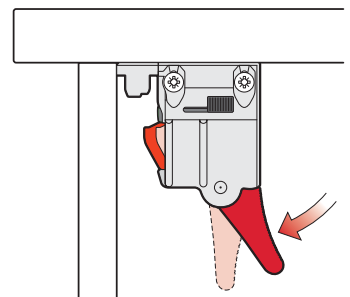
Height adjustment

Integrated tool-less height adjustment up to 2.5 mm.



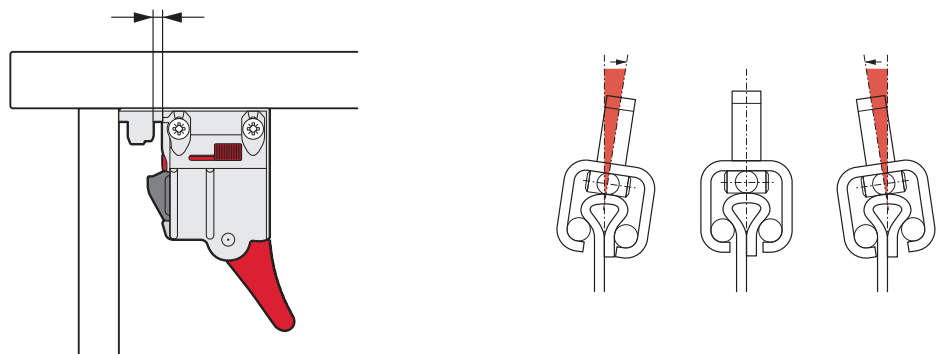
Drawer removal

Extend drawer, press the lever of the front fixing bracket and remove the drawer from the Dynamic NT slides.



Side tolerance

Side tolerance $\pm 1,5$ mm.



Information

Fixing of cabinet members:

The specified data is based on reference particle board according to DIN 68858, MDF and hardwood.
If other types of woods and qualities are used, please consider the proper screw type as well as numbers of screws used.



G*GRASS®

Grass GmbH
Furniture Fittings
Grass Platz 1
A - 6973 Höchst
Austria

Tel. +43 / 5578 / 701-0
Fax +43 / 5578 / 701-59

www.grass.at, info@grass.eu